



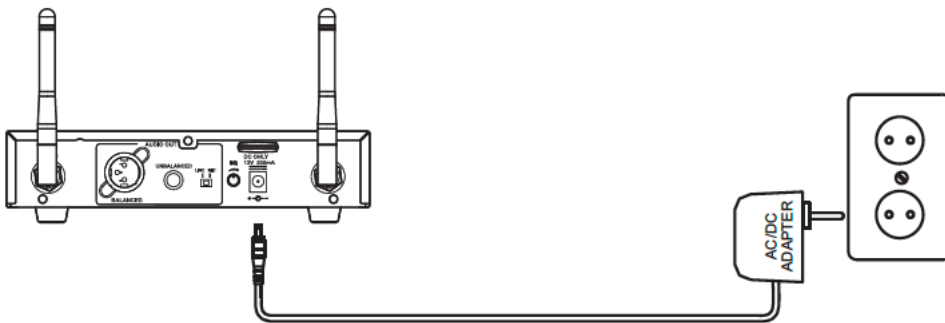
**Multi Channel Diversity UHF Receiver
Quick Start Guide
MUHF1012**



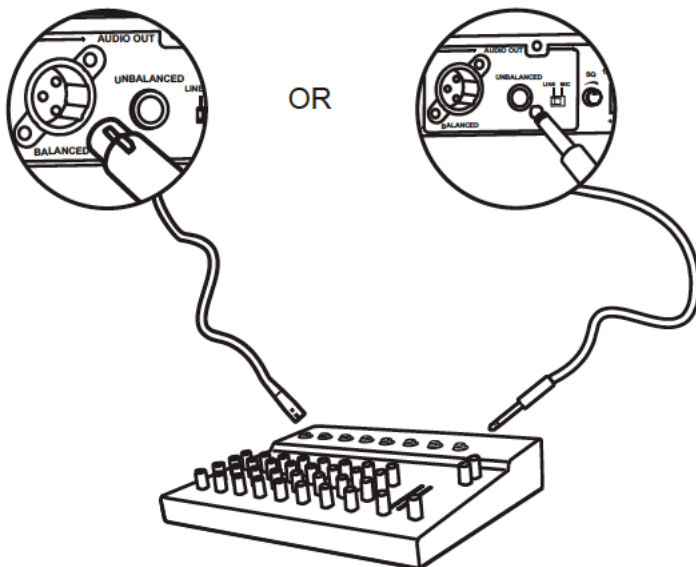
Model: MUHF1012



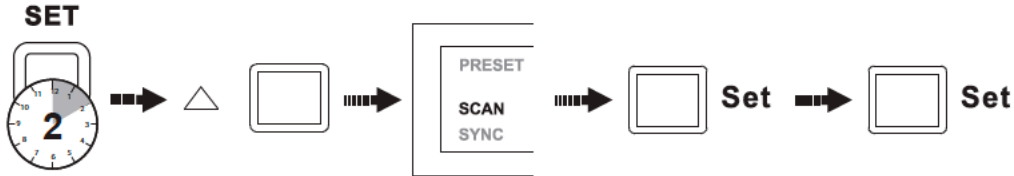
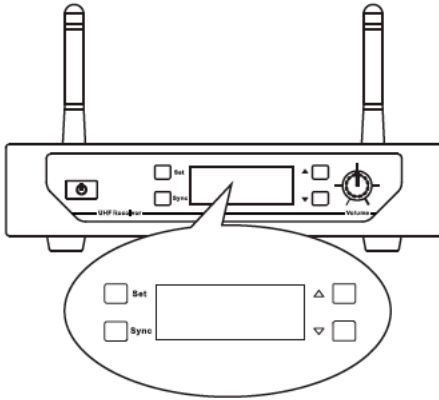
1. Connected Receiver Power Cable



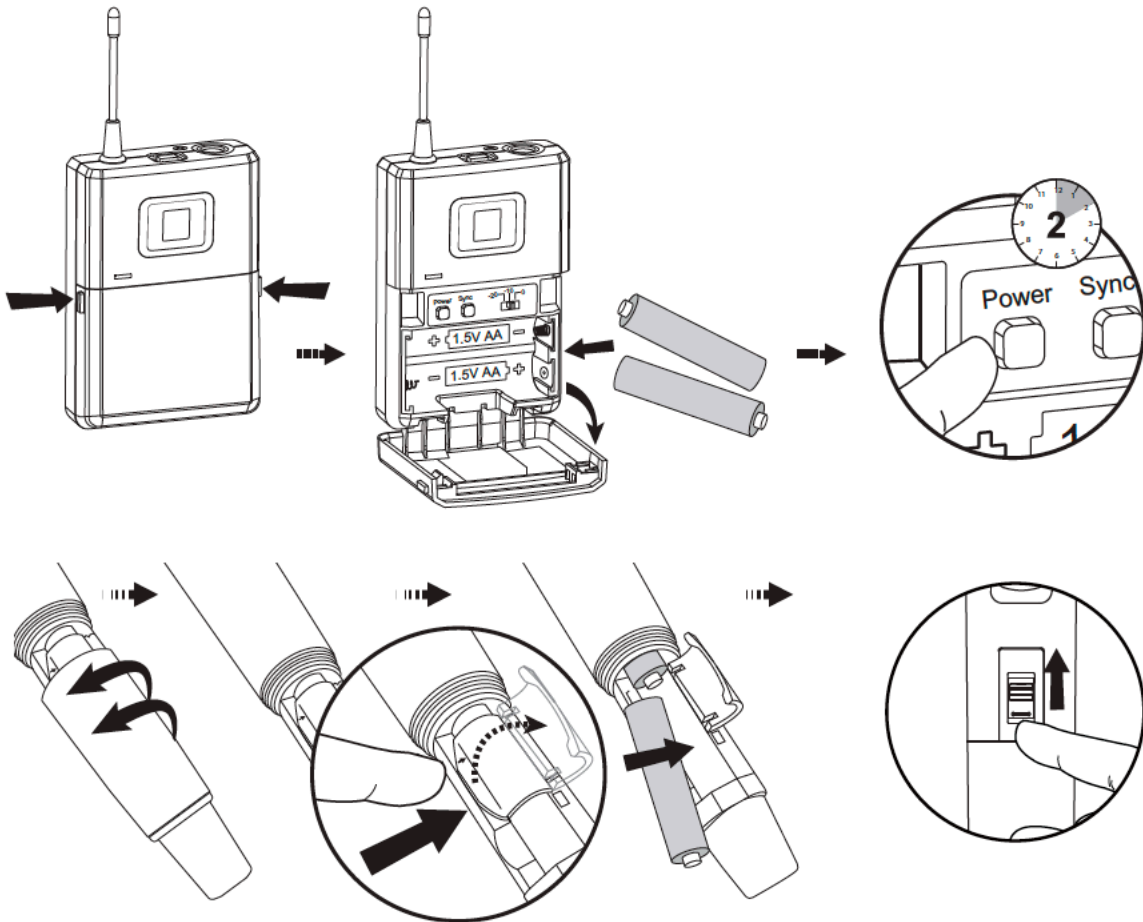
2. Connect Mixer or Amplifier



3. Scan Free Channel



4. Insert Batteries



5. SYNC

